



48 x 96mm

Features :

- 6 digits, 7 segment LED Totaliser
- Compact Size
- Inbuilt Sensor Supply

Display Specifications

Display	6 digits, 7 segment LED Totaliser
---------	-----------------------------------

Input Specifications

Sensor Type	NPN / PNP
Input Type	Voltage pulse (3 to 30V DC) from Proximity switches, Solid state devices, Potential free contact encoder
Input Speed	a) 3Hz b) 30Hz c) 1kHz

Output Specifications

Sensor Supply	Inbuilt, 12V DC, 30mA
---------------	-----------------------

Functional Specifications

Range	999999 counts
Counting Direction	Up
Memory Retention	Yes
Reset	Front , Remote

Auxiliary Supply Specifications

Supply Voltage	90 to 270V AC / DC (50 / 60Hz) -15% to 10% tolerance
Power Consumption	5VA max

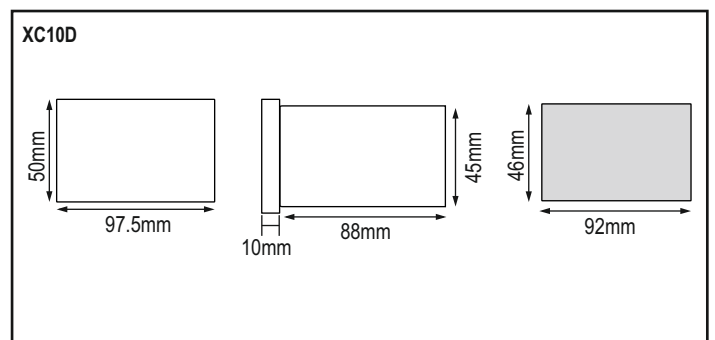
Environmental Specifications

Temperature	Operating: 0 to 50°C Storage: -5 to 50°C
Humidity (non - condensing)	95% RH

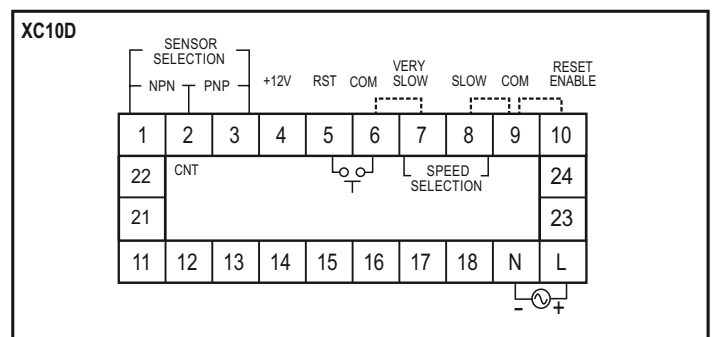
Mechanical Specifications

Mounting	Panel Mount
Weight	325gms

Dimensions



Terminal Connections



Ordering Information

Product Code	Supply Voltage
XC10D	90 to 270V AC / DC